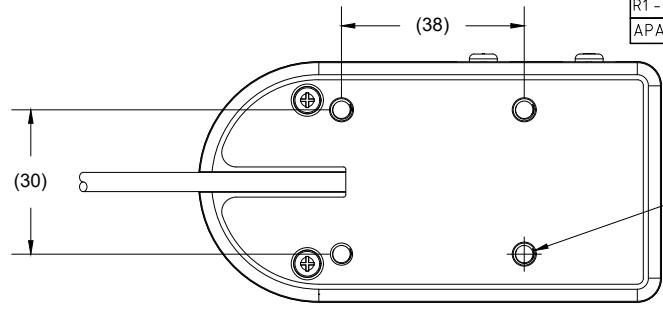
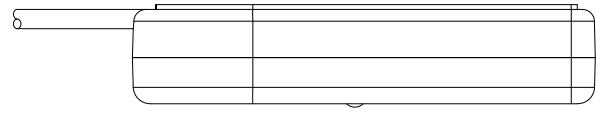


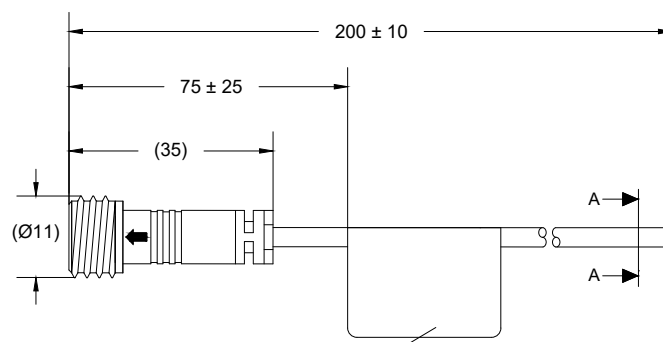
Revision Notes				
R1 -				
APA: -	Drawn:-	Checked:-	Approved:-	Date: -



AMPS MOUNT (4 X M4 X 7MM FIXING HOLE. THREAD PITCH 0.7MM)

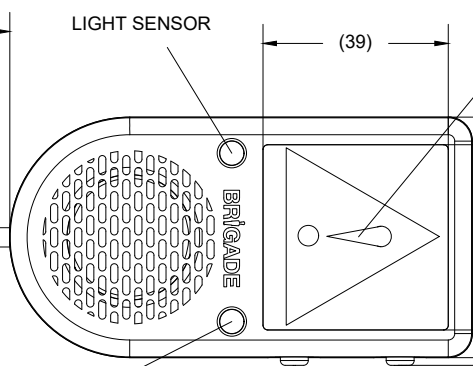


WARNING TRIANGLE IMAGE



SECTION A:A

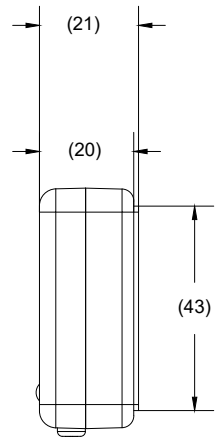
PRODUCT LABEL LOCATION



LIGHT SENSOR

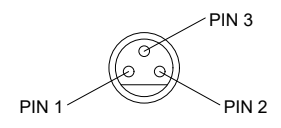
TRI-COLOUR LED INDICATOR

VOLUME CONTROL BUTTONS



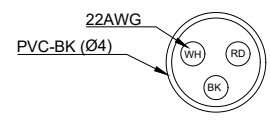
DOUBLE SIDED ADHESIVE PAD (NOT PRE-INSTALLED)

VIEW A



3 PIN FEMALE MATING FACE

PIN #	WIRE COLOUR	DESCRIPTION
1	BLACK	GND
2	RED	12V
3	WHITE	SIGNAL



NOTES:

- SOFTWARE VERSION: SW-P1375-MCU1-01-00.HEX, TO BE PREINSTALLED DURING MANUFACTURE.
- TRI-COLOUR (G,Y,R) LED INDICATES SYSTEM STATUS. REFER TO THE SYSTEM MANUAL FOR MORE INFORMATION.
- WARNING DISPLAY ILLUMINATION COLOUR: RED / YELLOW. REFER TO THE SYSTEM MANUAL FOR MORE INFORMATION.
- VOLUME CONTROL ADJUSTS THE SOUND LEVEL. MIN. 70dB±5dB / MAX 90dB±5dB @10CM.
- IT IS NOT POSSIBLE TO DISABLE AUDIO WARNING ALTOGETHER.
- SELF ADHESIVE PAD SHOULD BE STUCK ON THE REAR FOR FIXING TO SMOOTH SURFACE.
- HOUSING MATERIAL IS ABS PLASTIC.
- FINISH: BLACK COLOUR WITH SOFT TOUCH PAINT.
- FOR PACKAGING & LABELING DETAIL REFER TO THE LATEST REVISION OF THE MASTER BOM.
- BRIGADE LOGO IS WHITE SILK SCREEN.

PROPRIETARY NOTICE

THIS DESIGN AND TECHNICAL INFORMATION APPEARING ON THIS DRAWING IS THE PROPERTY OF BRIGADE ELECTRONICS, AND IS DISCLOSED IN CONFIDENCE. IT IS NOT TO BE COPIED, REPRODUCED, REVEALED TO OR EXPROPRIATED BY OTHERS, EITHER IN WHOLE OR IN PART WITHOUT THE EXPRESS WRITTEN CONSENT OF BRIGADE ELECTRONICS.



Assembly Pl Approval A.YAO	Approved by R.PENTLEY	Checked by J.STEWART	Drawn by S.GOVENDER
Angle of Projection 	Units mm	Scale N/A	Released 19/10/20
	Status RELEASED	Assembly Ref SSP-1000-DPW-D	
	Part No 6159	BE-004407-00-20	